



Order No.

Date reqd.

Reference

Customer contact

Page of

Site contact

Deliver to

Material Specification (Please fill in)

Weather Skin Please tick (✓) required option	Steel	Membrane	<input type="checkbox"/>
	0.8	0.8	<input type="checkbox"/>
	0.8	0.5	<input type="checkbox"/>
Other (Please specify)			

Insulation Depth

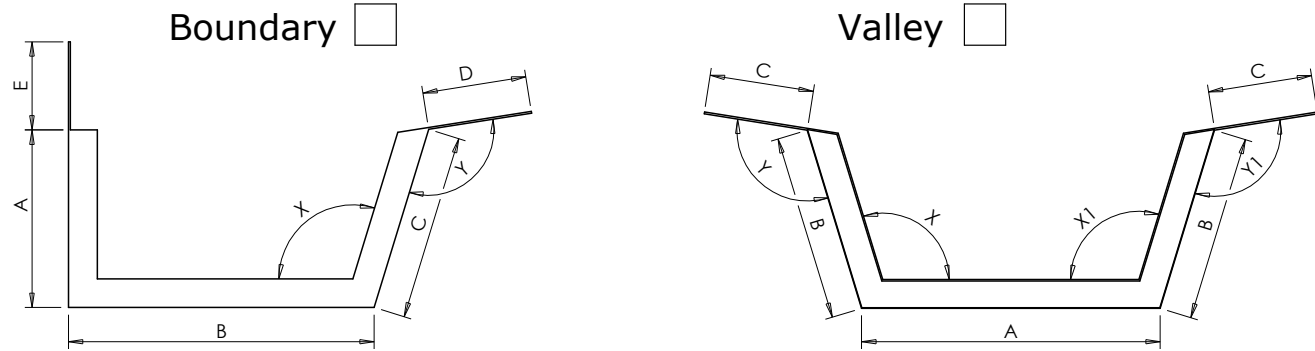
30 50 Other _____

Liner Sheet

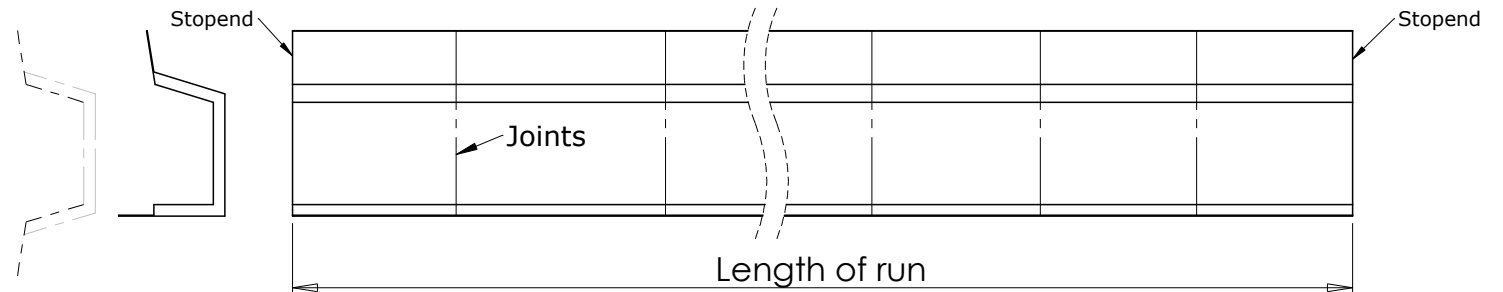
0.5 White Liner

Other _____

Please tick (✓) required option



PLAN OF RUN



Please fill in dimensions

A	D
B	E
C	
X°	Y°
X1°	Y1°

Stopends 1 pair per run supplied as standard	Qty(Pairs)
---	------------

Outlets	Qty _____	Ø _____
---------	-----------	---------

Roll Membrane Strip	Qty (Rolls) _____
---------------------	-------------------

Notes (Include any additional information here)

Quantity required (please fill in)

No. of runs	Length of run (M)	ID Mark (Optional)